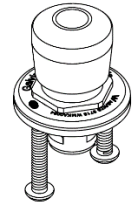




# Ezy-Drink<sup>®</sup> CP-BS Lead Safe<sup>™</sup> Remote Push Button Top Assembly

## PRODUCT CODES:

- 170.93.43.00



## SPECIFICATIONS

- Self-closing push button valve
- Chrome plate finish for easy cleaning and added durability
- Made from Lead Safe<sup>™</sup> brass

**IMPORTANT:** The push button has only two modes. Fully open or closed. Therefore, flow restriction must be fitted preceding the valve bodies to adjust the flow rate to the desired level.

**IMPORTANT:** All Ezy-Drink<sup>®</sup> remote top assemblies are tested in accordance with AS/NZS 3718 and leave our premises in good working order.

As 'lead free' is not currently defined by law in Australia and New Zealand, we have based our definition of Lead Safe<sup>™</sup> on the requirements of s1417 of the USA's Safe Drinking Water Act (SDWA) and the relevant US standards NSF61 / NSF372. The SDWA defines 'lead free' as "not more than a weighted average of 0.25% lead when used with respect to the wetted surface of pipes, pipe fittings, plumbing fittings and fixtures".

## TECHNICAL DATA

Inlet	G 5/8" BSP - Male	
Outlet	N/A	
Headwork	Push Button	
Working Pressure Range (kPa)	Min	50
	Max	500
Working Temperature Range (°C)	Min	5
	Max	60
Nominal Flow Rate (LPM)	N/A	
Finish	Chrome	

**NOTE:** Galvin Specialised continually strive to improve their products. Specifications may change without notice.

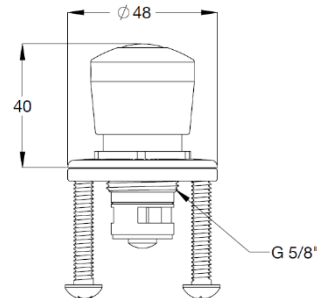
## TOOLS REQUIRED

- Spanner or adjustable crescent
- Screwdriver
- Hex key (supplied)



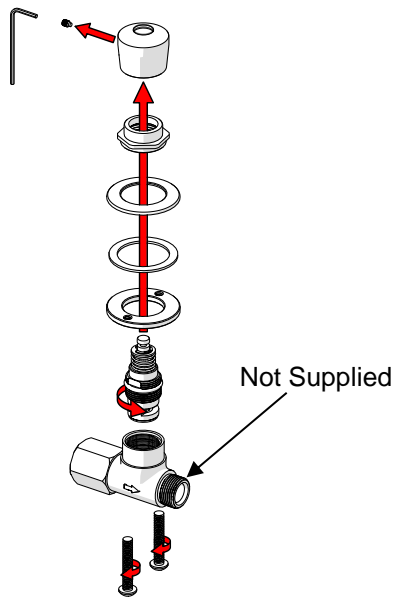
## PRE-INSTALLATION

**NOTE:** Before installation, all lines must be flushed. We recommend that a line strainer be installed prior to Push Button Tapware to eliminate any foreign material.



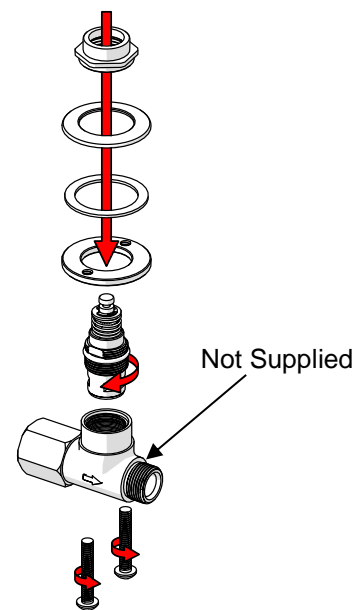
## INSTALLATION

**IMPORTANT:** Galvin Specialised products must be installed in accordance with these installation instructions and in accordance with AS/NZS 3500, the PCA and your local regulatory requirements. Water and/or electrical supply conditions must also comply to the applicable national and/or state standards. Failing to comply with these provisions shall void the product warranty and may affect the performance of the product.



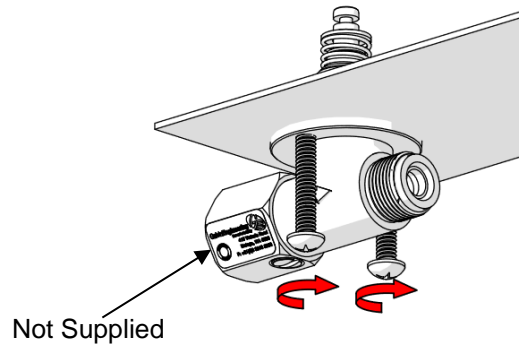
### 1. Disassemble & Remove Existing

- Ensure the inlet body is secure as it will lose its support once the push button assembly has been removed.
- Remove existing push button assembly from the inlet body (not supplied) as shown.



### 2. Fit Replacement Top Assembly

- Check & clean the inlet prior to fitting the replacement assembly.
- Fit new push button assembly as shown.



### 3. Secure Inlet Body

- Tighten the screws on the inlet body as shown. Do not overtighten.
- Once fitted, check installation for leaks and correct operation.

## TROUBLESHOOTING

PROBLEM	CAUSE	RECTIFICATION
Inconsistent flow	Blocked top assembly	Remove top assembly and clean
Water is not flowing from tap	Water is turned off	Turn on water
Continuous flow	Top assembly loose or internally obstructed or damaged	Remove top assembly, clean with water and re-grease spindle if required
Button hard to press	The mains pressure may be too great	Reduce to below 500kPa (70PSI). Re-grease spindle if required

## WARRANTY

The warranty set forth herein is given expressly and is the only warranty given by the Galvin Engineering Pty Ltd. With respect to the product, Galvin Engineering Pty Ltd makes no other warranties, express or implied. Galvin Engineering Pty. Ltd. hereby specifically disclaims all other warranties, express or implied, including but not limited to the implied warranties of merchantability and fitness for a particular purpose.

Galvin Engineering Pty Ltd products are covered under our manufacturer's warranty available for download from [www.galvinengineering.com.au](http://www.galvinengineering.com.au) Galvin Engineering Pty Ltd expressly warrants that the product is free from operational defects in workmanship and materials for the warranty period as shown on the schedule in the manufacturer's warranty. During the warranty period, Galvin Engineering will replace or repair any defective products manufactured by Galvin Engineering without charge, so long as the terms of the Manufacturer's warranty are complied with.

The remedy described in the first paragraph of this warranty shall constitute the sole and exclusive remedy for breach of warranty, and Galvin Engineering Pty Ltd shall not be responsible for any incidental, special or consequential damages, including without limitation, lost profits or the cost of repairing or replacing other property which is damaged if this product does not work properly, other costs resulting from labour charges, delays, vandalism, negligence, fouling caused by foreign material, damage from adverse water conditions, chemical, electrical or any other circumstances over which Galvin Engineering has no control. This warranty shall be invalidated by any abuse, misuse, misapplication, improper installation or improper maintenance or alteration of the product.

